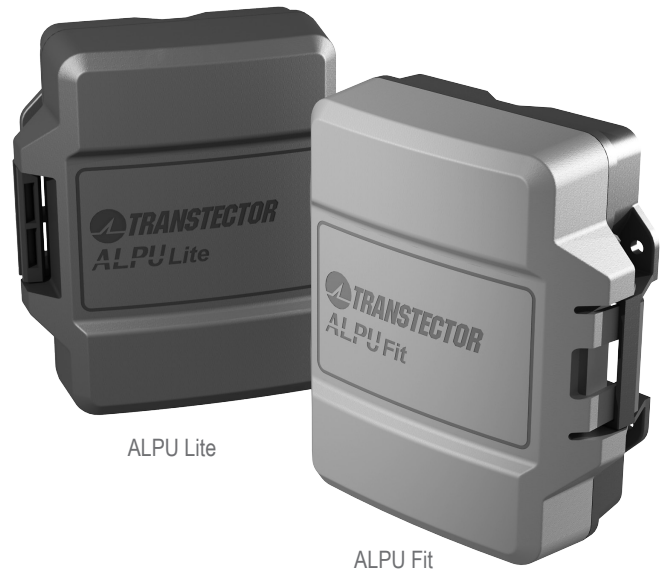


## DATA LINE SURGE PROTECTION

# ALPU Lite, ALPU Fit

Transtector ALPU Lite and ALPU Fit Series of data line surge protectors are designed with ease of installation in mind to protect GbE, PoE+ and GbE, PoE++ networks for indoor and IP 65 applications. The ALPU Lite and ALPU Fit series offers gas tube and hybrid technology options providing superior cost effective protection for data speeds up to 1 Gb/s.

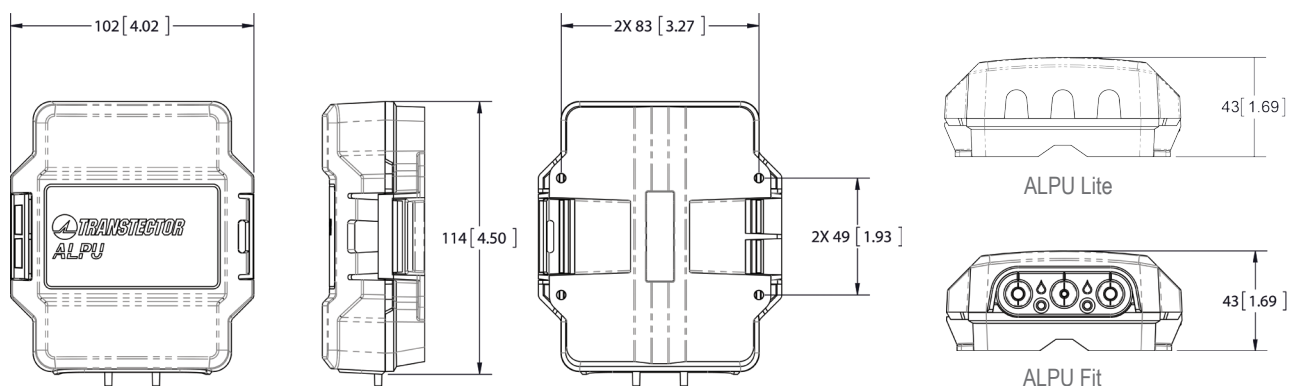


### FEATURES

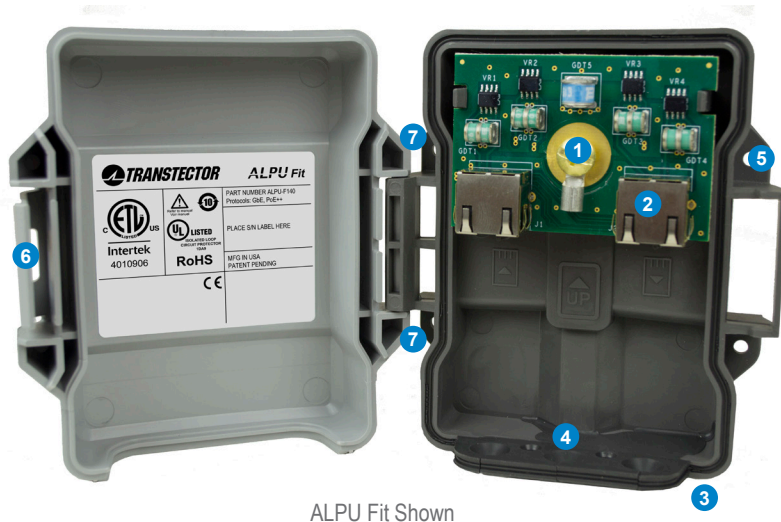
- Data line surge protection designed to support GbE, PoE+ and GbE, PoE++ protocols
- Gas tube as well as hybrid SASD technology options
- Ease of installation (simple hand tools required)
- Pole / wall mount capable
- Indoor / outdoor configurations available with locking hinged cover
- Rugged environmental design offers water ingress protection
- Corrosion, UV, and salt fog protection (ALPU Fit)

### STANDARDS

- UL 497B
- IEC 60950
- CE and RoHS compliant
- IP 65 (ALPU Fit)
- IP 23 (ALPU Lite)



## DATA LINE SURGE PROTECTION



ALPU Fit Shown

- 1 Ground Screw Terminal
- 2 RJ 45 Shielded Connector
- 3 Weatherized Grommet And Gasket (ALPU Fit)
- 4 Drain Hole Pull Out (ALPU Fit)
- 5 Wall Mount Holes (4 Total)
- 6 Locking Hinged Cover (Zip Tie Can Be Used For Added Security - ALPU Fit)
- 7 Pole Mount Feature (Not Shown)

## SPECIFICATIONS

Product Name	ALPU-Lite	ALPU-Fit
Part Number	ALPU-L130	ALPU-F140
<b>Electrical</b>		
Data Rate	1 Gb/s	1 Gb/s
Protocols	GbE, PoE+	GbE, PoE+, PoE++
Nominal PoE Voltage	48 Vdc	48 Vdc
Maximum PoE Voltage	60 Vdc	60 Vdc
Maximum PoE Current	600 mA	1.5 A
Maximum PoE Power	51 W	100 W
Technology	Gas Discharge Tube	Hybrid Gas Discharge Tube and Silicon Avalanche Diode
Pins Protected	[1,2] [3,6] [4,5] [7,8] {Shield}	[1,2] [3,6] [4,5] [7,8] {Shield}
Protection Modes	Line to Ground Shield to Ground	Line to Line Line to Ground Shield to Ground
Maximum Surge Current Line to Line 8/20µs	N/A	100 A
Maximum Surge Current Shield to Ground 8/20µs	20 kA	20 kA
<b>Environmental</b>		
Enclosure Rating	IP 23	IP 65
Operating Temperature	-40° C to +65° C	-40° C to +65° C
Corrosion Resistance	None	Yes
UV Resistance	Yes	Yes
<b>Regulatory Compliance</b>		
UL Certification	UL 497B	UL 497B
IEC Certification	IEC 60950	IEC 60950
ROHS	Compliant	Compliant
CE	Compliant	Compliant
Warranty	1 year	3 year